

### Features

- 0.5 gpf (1.9 lpf).
- 125-micron filter protects internal components.
- High back pressure vacuum breaker.
- Locking stop cap and nonhold open design provide protection against vandalism.
- No external flush volume adjustment ensures water conservation.
- Chloramine and chlorine resistance on all rubber components exposed to waterway.

### Material

- Brass construction with durable Polished Chrome finish.

### Technology

- Double seal handle design for long life without leaks.
- Patented piston technology for superior flush volume accuracy.
- Nonhold open piston technology for accurate activation.

### Installation

- For urinal installations with 3/4" top spud coupling connection.
- Can be installed for left- or right-handed users.

### Recommended Products/Accessories

K-23723 Faucet cleaner



ADA

CSA B651

OBC

### Codes/Standards

ASSE 1037/ASME A112.1037/CSA B125.37

EPA WaterSense®

ADA

ICC/ANSI A117.1

CSA B651

OBC

### KOHLER® One-Year Limited Warranty

See website for detailed warranty information.

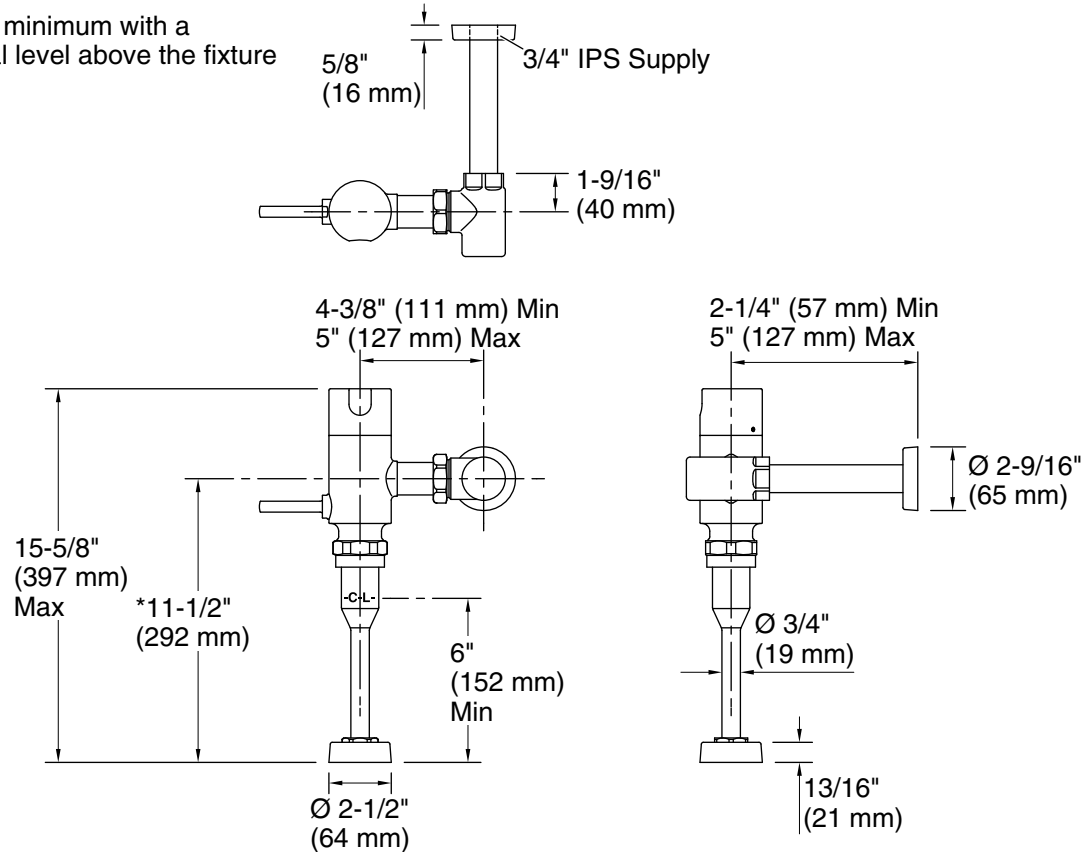
### Available Colors/Finishes

*Color tiles intended for reference only.*

Color	Code	Description
-------	------	-------------

	CP	Polished Chrome
---	----	-----------------

\*10-3/4" (273 mm) minimum with a  
6" (152 mm) critical level above the fixture



### Technical Information

All product dimensions are nominal.

### Pressure/fixture Supply Requirements

Fixture pressure max (static):	80 psi (551.6 kPa)
Fixture pressure min (static):	25 psi (172.4 kPa)
Min flowing pressure:	25 psi (172.4 kPa)
Min flow rate:	10 gpm (37.9 lpm)

### Notes

Install this product according to the installation instructions.

ADA, OBC, CSA B651 compliant when installed to the specific requirements of these regulations.